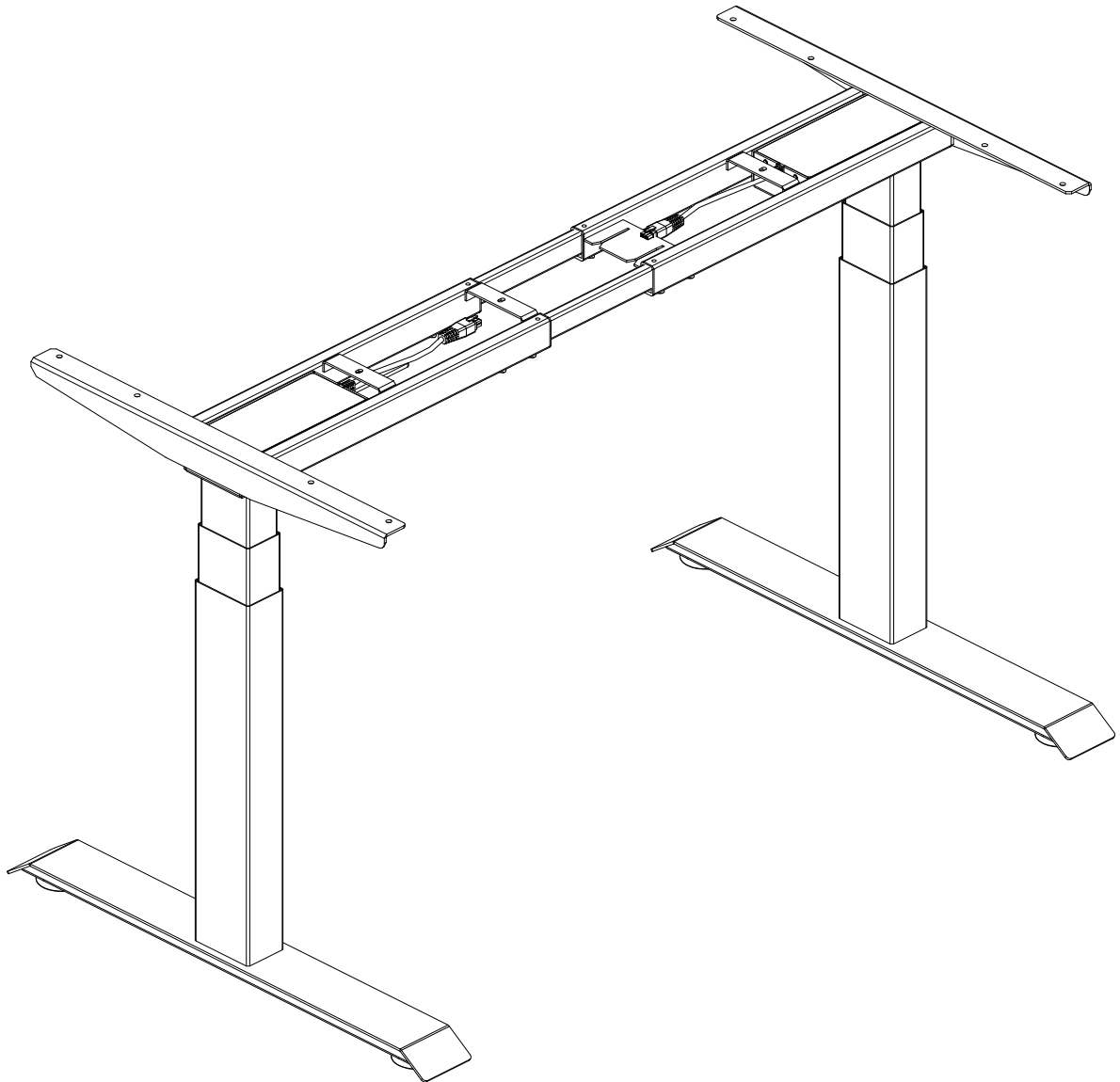


Instruction Manual Deluxe Desk Frame

Thank you for choosing the Ergofy Deluxe Desk Frame. This manual will guide you through the assembly, installation and safe use of your height adjustable desk frame. Please read all instructions carefully before starting and keep this manual for future reference.



Instruction Manual

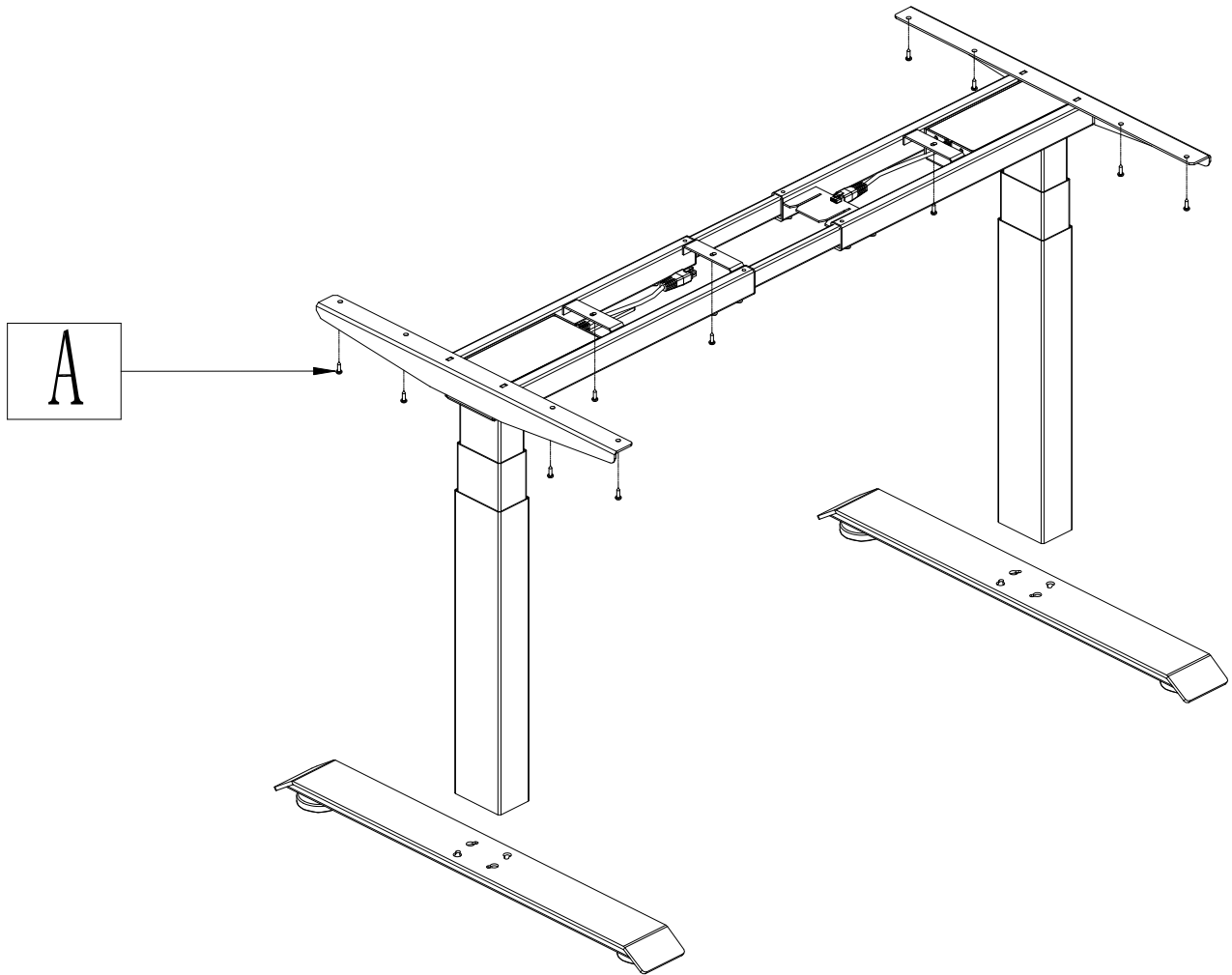
Deluxe Desk Frame

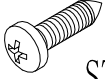
Table of Contents

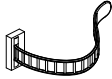
Component Parts.....	3
Assembly Instructions.....	4
Use Instructions.....	8
Troubleshooting.....	10
Important Safety Instructions.....	11
Advanced Programming.....	12


Component parts

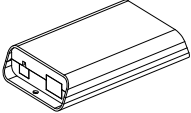
Please check that all parts listed below are included before beginning assembly. If any parts are missing or damaged, please contact your supplier before installation.

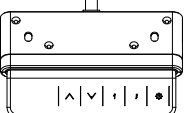


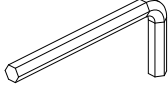
A	×22
 ST4*20	

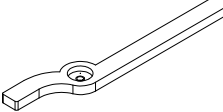
B	×5
	


C	×1
	

D	×1
	

E	×1
	

F	×1
 5MM	

G	×1
	

H	×1
	

Assembly Instructions

Step 1

Adjust the length of the top frame to match the width of your tabletop. Align the frame with the corresponding width markings and securely tighten all screws.

Width guide

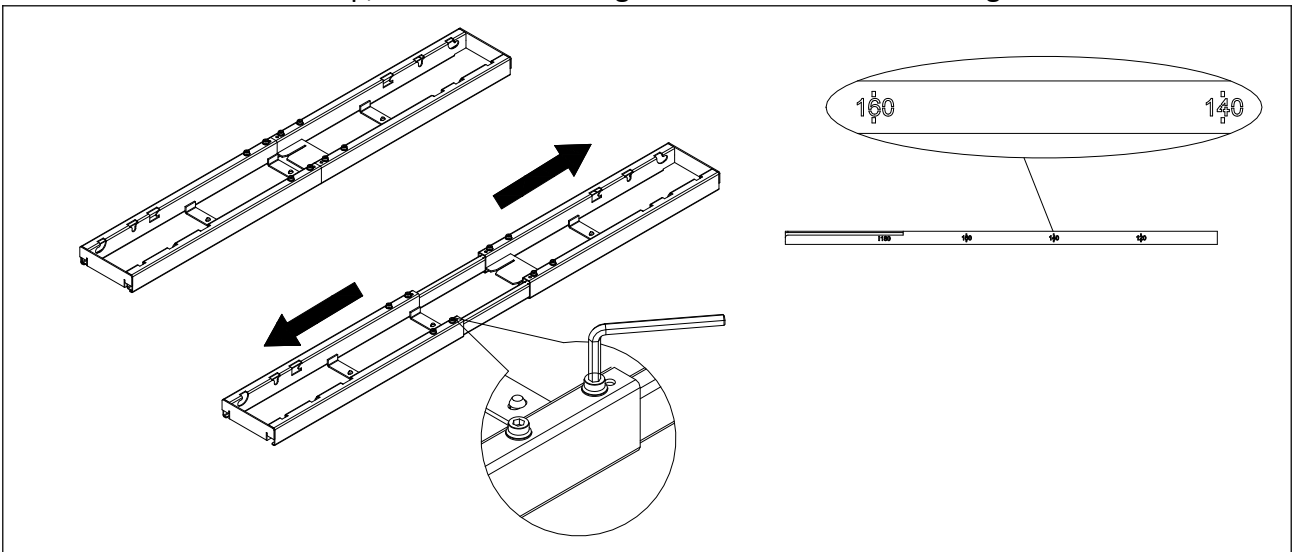
120, suitable for a 120 cm wide tabletop

140, suitable for a 140 cm wide tabletop

160, suitable for a 160 cm wide tabletop

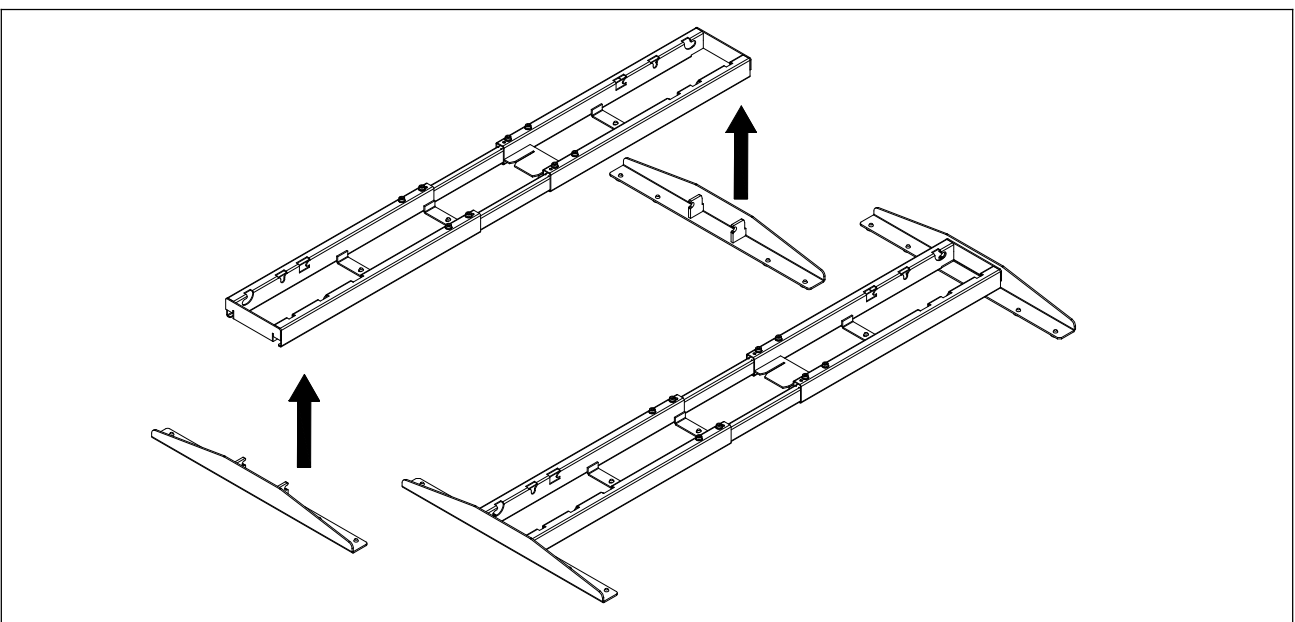
180, suitable for a 180 cm wide tabletop

For a 200 cm wide tabletop, use the 180 setting and allow a 10 cm overhang on each side.



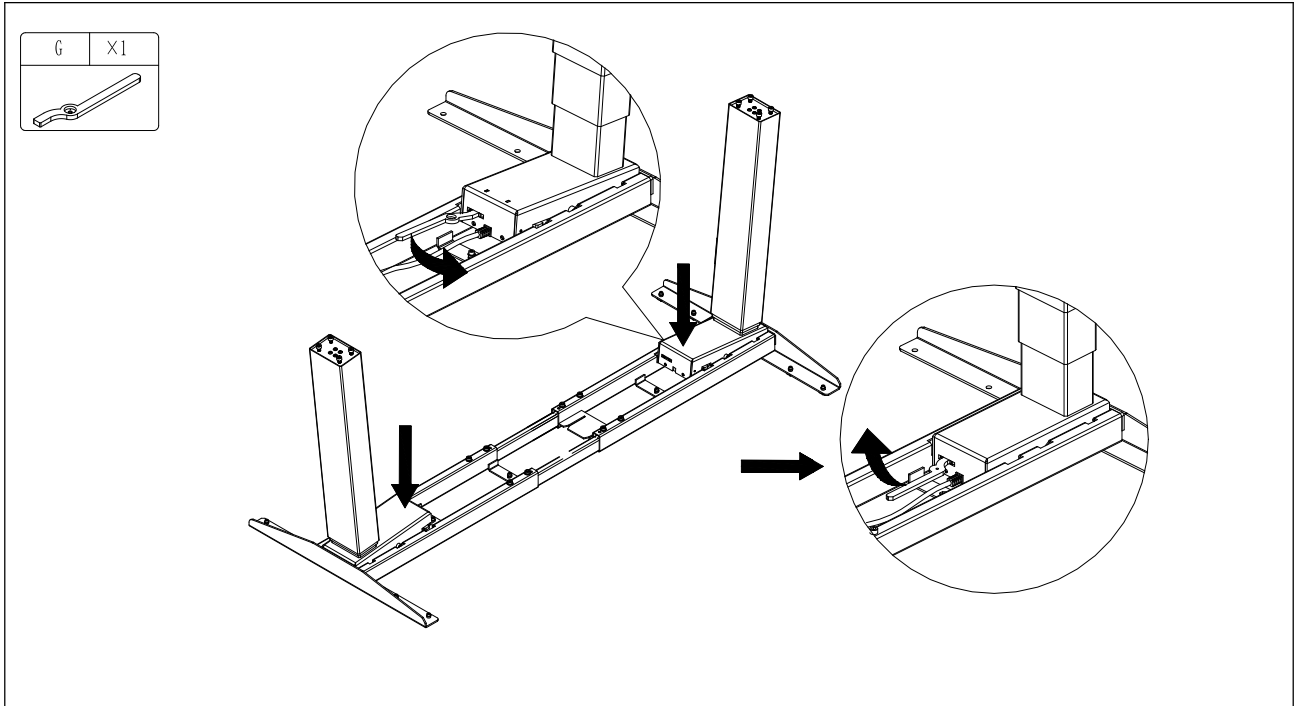
Step 2

Insert the tabletop support brackets into the top frame as shown. Make sure the supports are fully seated and correctly aligned.



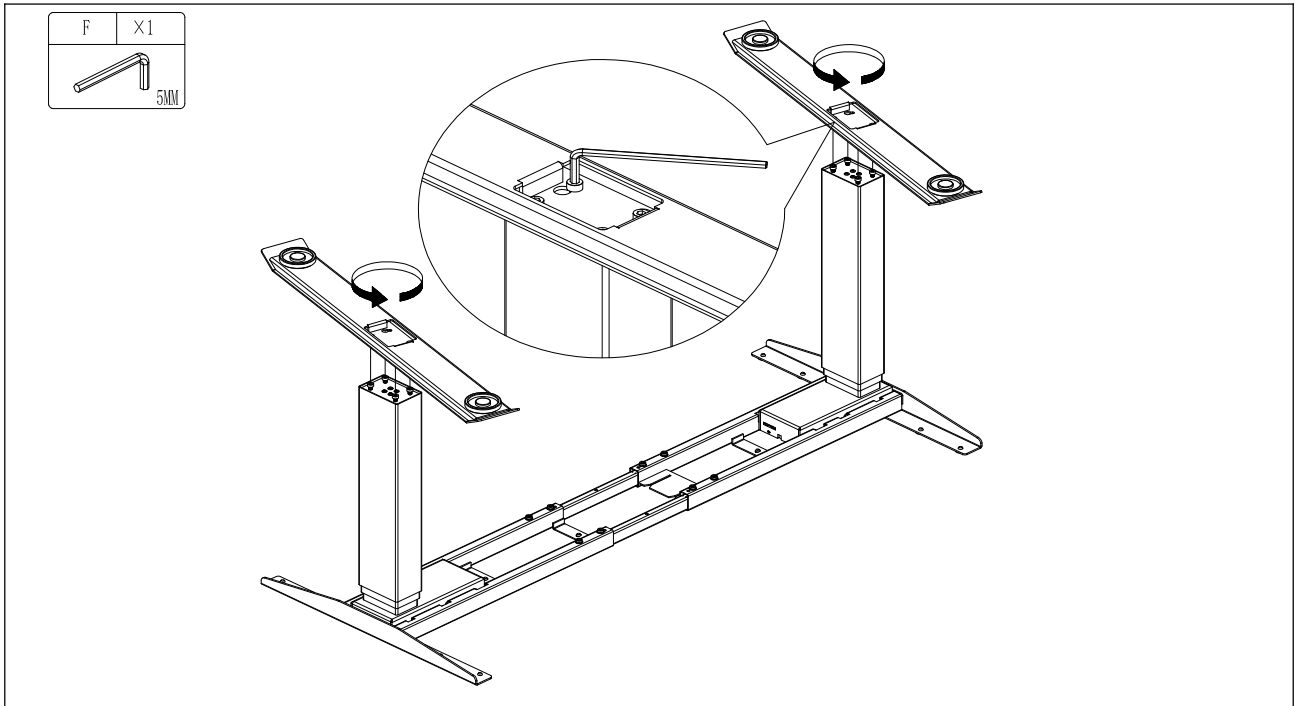
Step 3

Insert the lifting columns into the top frame. Use the supplied (G) Tool key to lock them into place. Ensure each column clicks securely into position.



Step 4

Attach the table feet to the lifting columns. Check that they are properly aligned and then firmly tighten the pre-installed bolts.

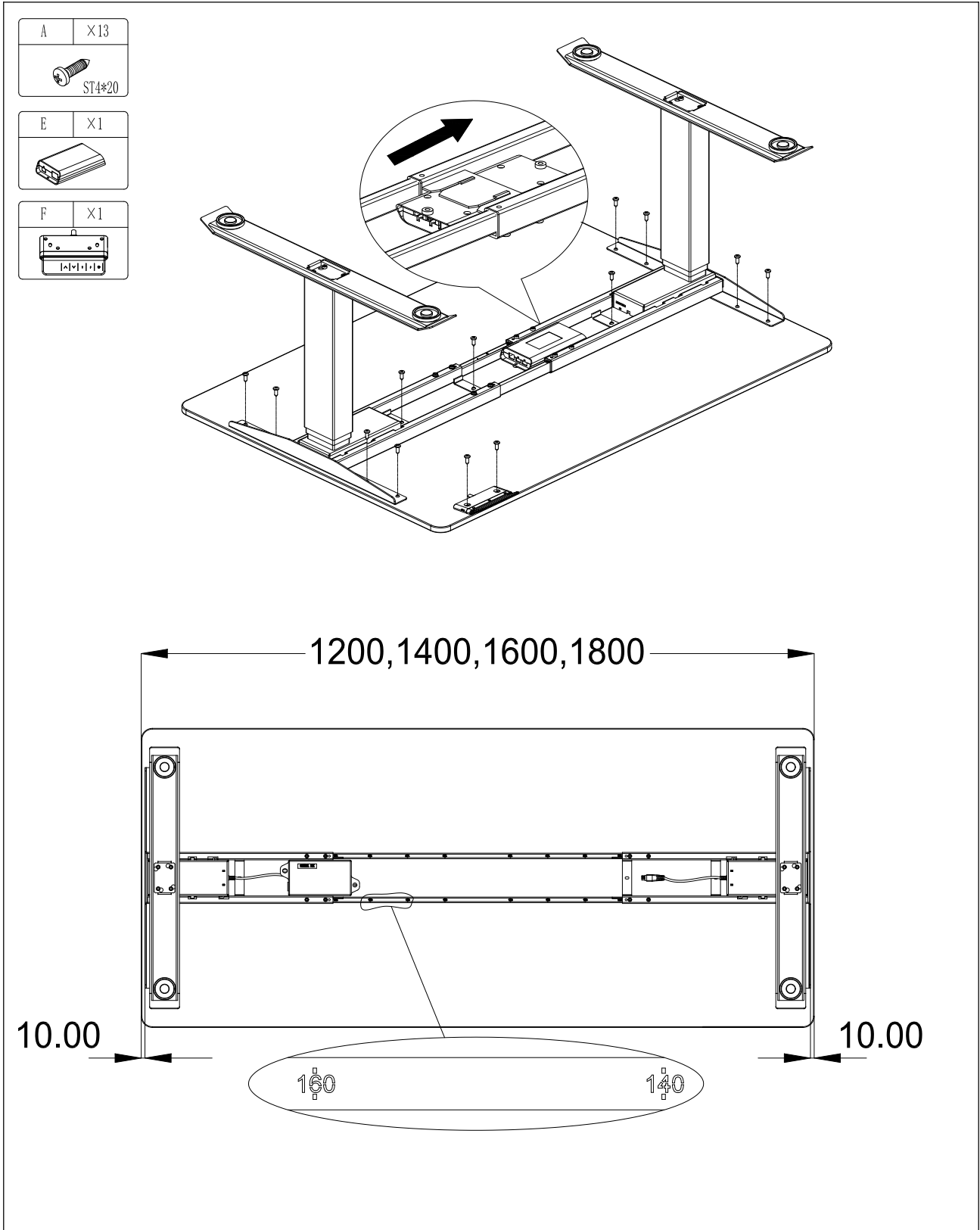


Step 5

Mount the control box onto the top frame. Secure the tabletop using 11 pieces of (A) ST4×20 screws, leaving approximately 10 mm clearance from the edge of the tabletop.

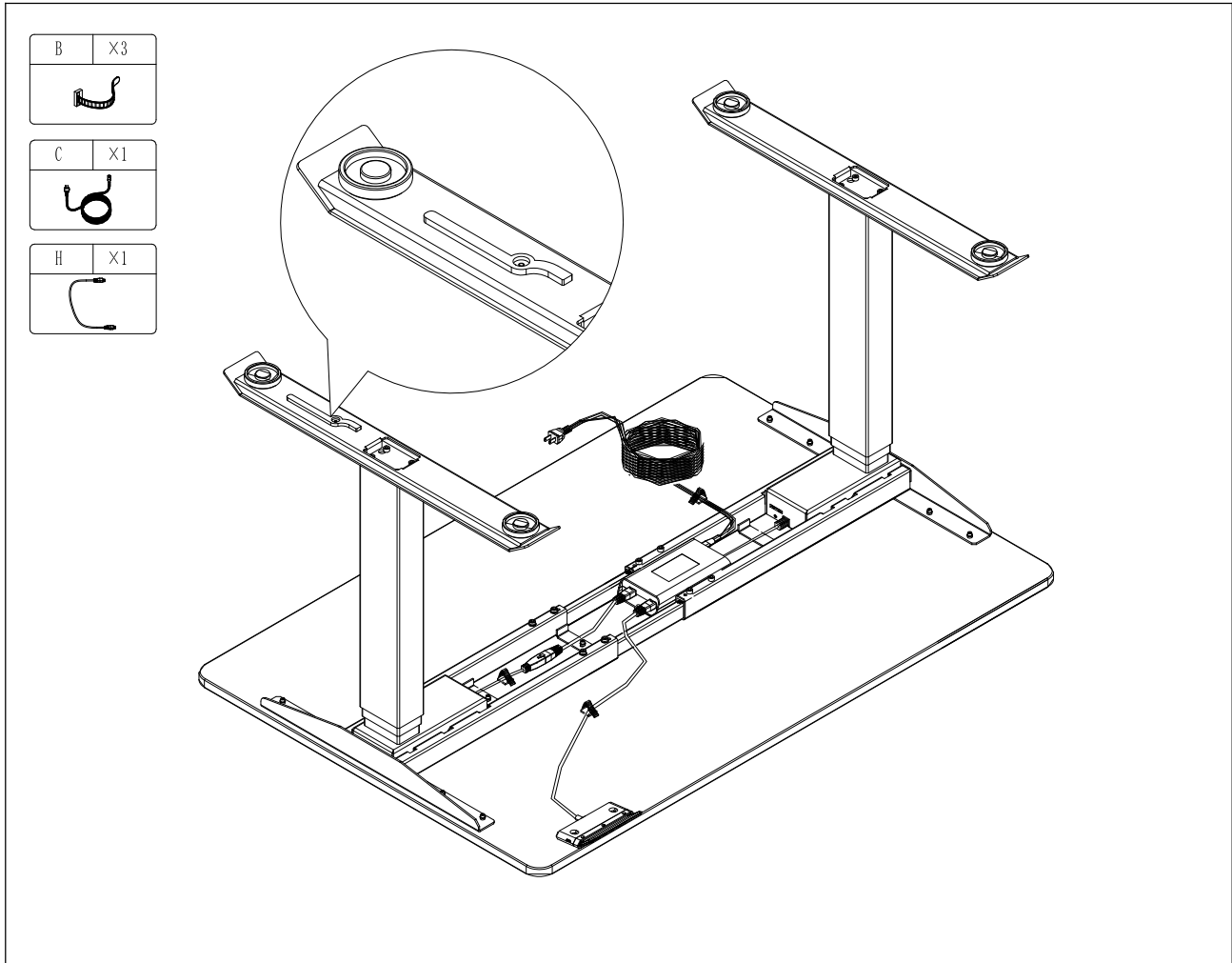
For 200 cm tabletops, allow 10 cm clearance at each end.

Attach the control panel using 2 pieces of (A) ST4×20 screws.



Step 6

Connect all cables according to the wiring diagram.
Secure the cables neatly using the supplied cable ties.
Attach the safety key to the underside of the table foot.



Use Instructions

Parts List

Lifting columns, 2 pieces

Control panel, 1 piece

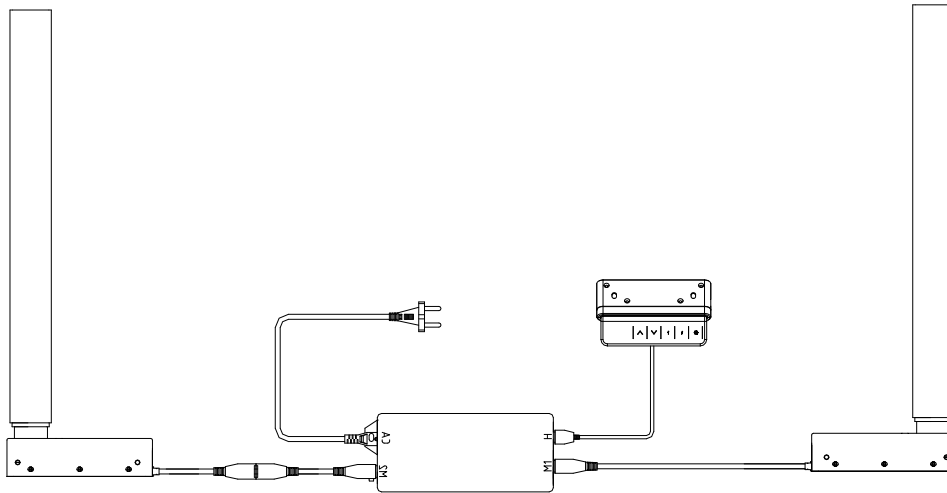
Control box, 1 piece

Motor cable, 1 piece

Power cord, 1 piece

Connect all cables as shown in the diagram.

Ensure that all connections are fully inserted before connecting the desk to the power supply.



Technical Specifications

Input voltage, 100 to 240 VAC

Output voltage, 29 VDC

Maximum load capacity, 100 kg (including tabletop)

Maximum speed, 38 mm per second

Minimum height, 625 mm excluding tabletop thickness

Stroke length, 650 mm

Operating temperature, 10 to 40 °C

Duty cycle, maximum 10 percent, 2 minutes operation followed by 18 minutes rest


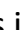
Make sure all components are connected correctly (control box, control panel, power cable and connecting cable, lifting columns).

Connect the power cable to a 110/240VAC outlet. After the control panel displays '65.0' for a few seconds, the system is turned on and the desk is ready for use.

Control Panel Operation and Programming Instructions



Menu settings

1. Press  to enter the settings interface
2. Press the UP and DOWN to select the menu
3. After setting the data, press  to confirm
4. Press the Stand symbol (Memory 1) to return to the previous interface

Memory Settings



Height limit



Time reminder



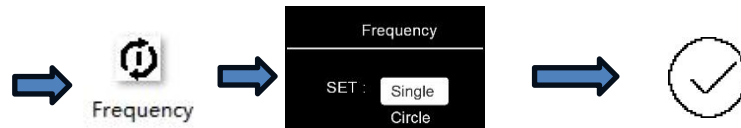
After the time reminder is set ,the screen will display:



When the standing time is reached, the screen will display a notification:



Time reminder Frequency setting



Time reminder method



5. Keypad Lock

To lock: Press and hold buttons for 5 seconds until display, indicating that the system is locked.

To unlock: Press the buttons for 5 seconds until the sign appears ,the desk is unlocked.

6. Reset

When the system is experiencing a problem or the control panel displays

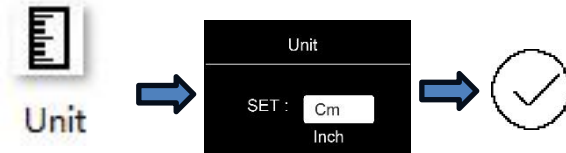


the system must be reset.

Press and hold the "**DOWN**" button throughout the process. After 5 seconds, the desk will lower slightly until it reaches its lowest height, then rises slightly and the display changes back to the numeric height setting. After the desk stops, the reset process is successfully completed.

General Setting

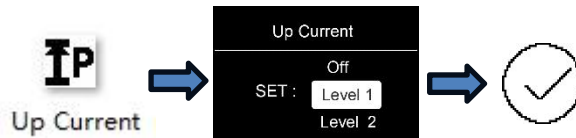
Display units



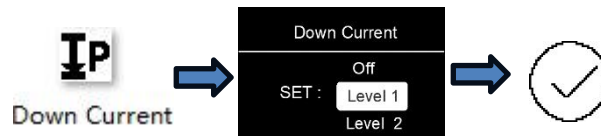
Gyroscope Setting



Anti- Collision for UP



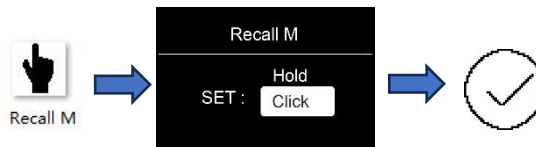
Anti-Collision for DOWN



Base height setting



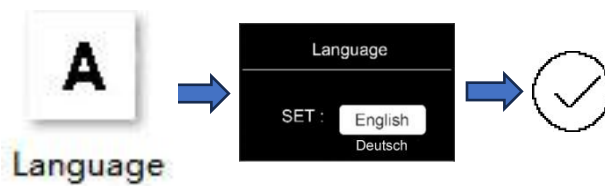
Motor running mode



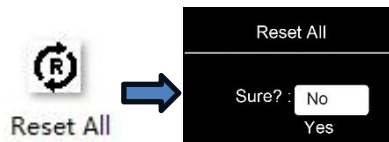
Constant-touch & One-touch



Language setting



Restore Factory Defaults



Version information



Troubleshooting

1. HOT

Issue: Operation of the control box, continuously, for more than 2 minutes.

Solution:

- a. Wait 18 minutes.
- b. Disconnect the power cable, wait a few minutes, and then plug the cable to the power source. The error code will disappear.

2. E01 and E02

Issue:

- a. One of the control box cables is not connected properly, it is defective or broken;
- b. The weight on one side of the desk exceeds 100 kg.

Solution:

Make sure all the connection cables are properly connected.

Then wait 3 seconds and the error code will disappear. If the problem still persists, replace the engine with a new one.

Remove load from desk, then the error code will automatically disappear.

3. E05

Issue: The desk is tilted

Solution: Start the "Reset" process.

4. E06

Issue: The difference between the two lifting columns is higher than 1 cm (0.4 inches).

Solution: Start the "Reset" process.

4. E07

Issue: The load weight exceeds the limit of 100 kg.

Solution: Remove items from the desk to ensure the total load does not exceed the maximum allowed weight of 100 kg.

5. E08

Issue: The input voltage is lower than the required value.

Solution: The error code will automatically disappear when the voltage increases and reaches the limits required by the device.

6. E09

Issue: The input voltage is too high and exceeds the maximum allowed value.

Solution: The error code will disappear automatically when the voltage decreases and reaches the maximum value that the device can support.

7. E10

Issue: The control panel is not connected or does not receive power, while the control box is already connected to a power source.

Solution: Wait 1 second, the error code will disappear automatically. If the problem persists, check the connection cables.

Important Safety Instructions

- **B**efore using this device, read these operating instructions carefully and keep this user manual for future reference.
- **B**efore using the product, check the desk and power cables for any visible signs of damage. If you notice cuts or deep scratches, do not turn on the device.
- **B**efore connecting the product to the power supply, make sure that the power supply voltage is compatible with the parameters of the product.
- **B**efore using it, make sure that the length of the power cable allows you to connect the desk to the power supply.
- **T**he height-adjustable desk contains electronic circuits and should only be used in dry environments. Do not use outdoors or in very dusty environments. Keep away from heat sources and any corrosive materials.
- **K**eeP all electrical components away from liquids. Never touch or handle the desk, power supply, the control box, the control panel or any other cable with wet hands.
- **C**lean the product only with a clean, dry, soft cloth or cloth. Disconnect from the power supply before moving or cleaning electrical components.
- **D**o not disassemble the columns, control box and control panel. These actions are considered damage caused by the user.
- **T**his product contains small parts. Make sure they are out of the reach of children. Do not allow children to play with the device. Packing materials must not be used as toys.
- **D**o not lay or sit on the worktop. This product is not for lifting people.
- **D**o not exceed the maximum permissible load weight.
- **T**his product can be used in a 10% cycle (2 minutes of operation, followed by 18 minutes pause).
- **T**he manufacturer cannot be held liable or responsible for any damage or injuries resulting from improper use of the desk, in other words, non-compliance with these safety instructions and warnings.